



DIAMOND ND

Link

For more information please email:
info@orbitdesign.co.uk
 Visit: www.orbitdesign.co.uk

Address:
 The Walnuts, Ingleby Road,
 Stanton by Bridge, Derbyshire,
 DE73 7HU, GB

Alternatively, please contact your local sales representative.

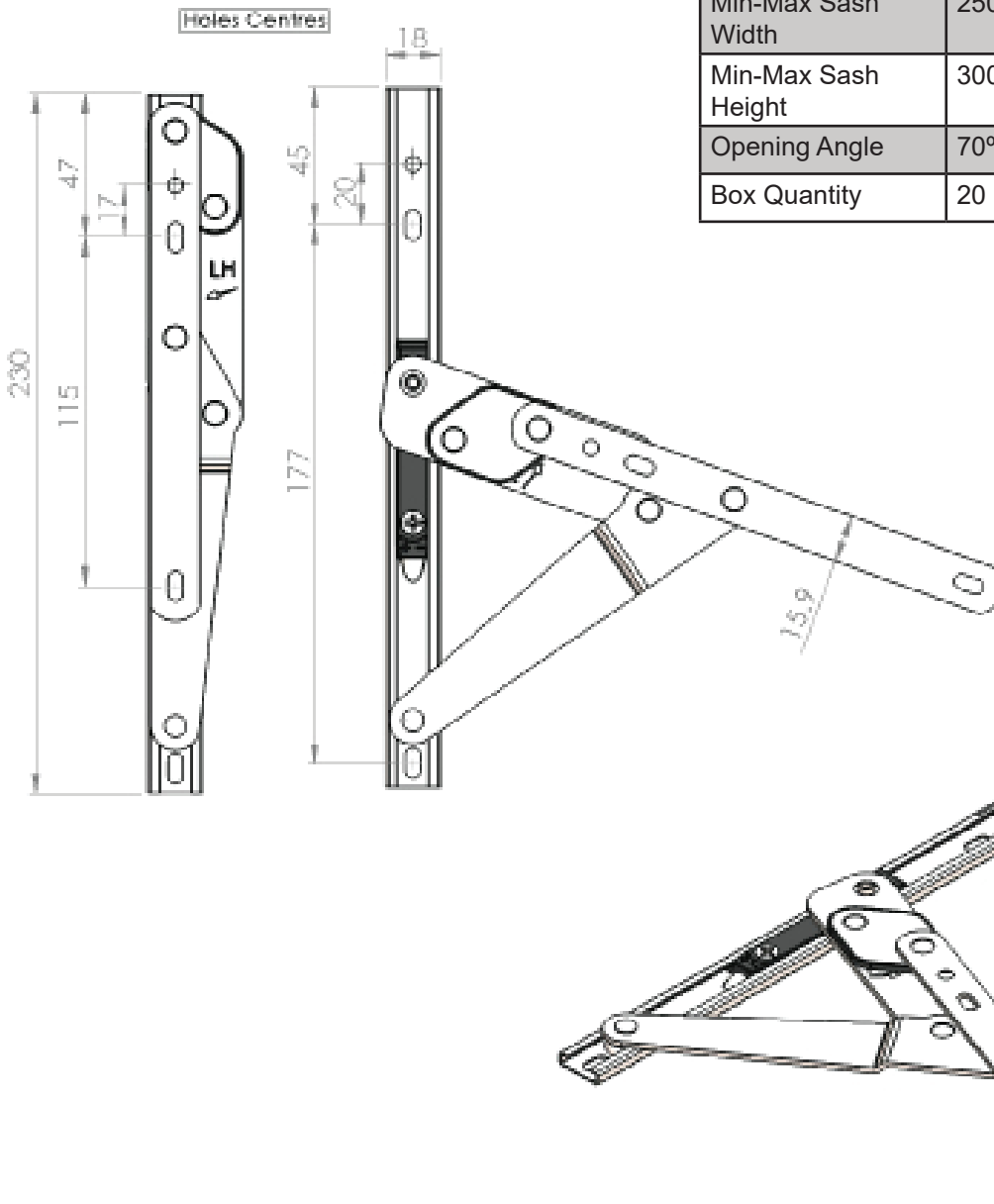


THE WINDOW HINGE THAT PERFORMS UNDER PRESSURE

DATA SHEET

Diamond Link 9" (230mm)

9" (230mm) Line Drawing



9" (230mm) Hinge	
Part No's	Description
01-1-09-13.5	9" Hinge 13.5mm Stack (Pair)
01-1-09-16.5	9" Hinge 16.5mm Stack (Pair)
Function	Side & Top Hung
Sash Weight Max	30kg (Side Hung) 20kg (Top Hung)
Min-Max Sash Width	250mm-500mm (Side Hung)
Min-Max Sash Height	300mm-500mm (Top Hung)
Opening Angle	70°
Box Quantity	20 Pairs

TESTING

EN BS 6375-2 (Operating Forces/
 Impact/Racking/Static
 Torsion/Safety Devices/Cyclic)