



DIAMOND Link

For more information please email:
 info@orbitdesign.co.uk
 Visit: www.orbitdesign.co.uk

Address:
 The Walnuts, Ingleby Road,
 Stanton by Bridge, Derbyshire,
 DE73 7HU, GB

Alternatively, please contact your local sales representative.

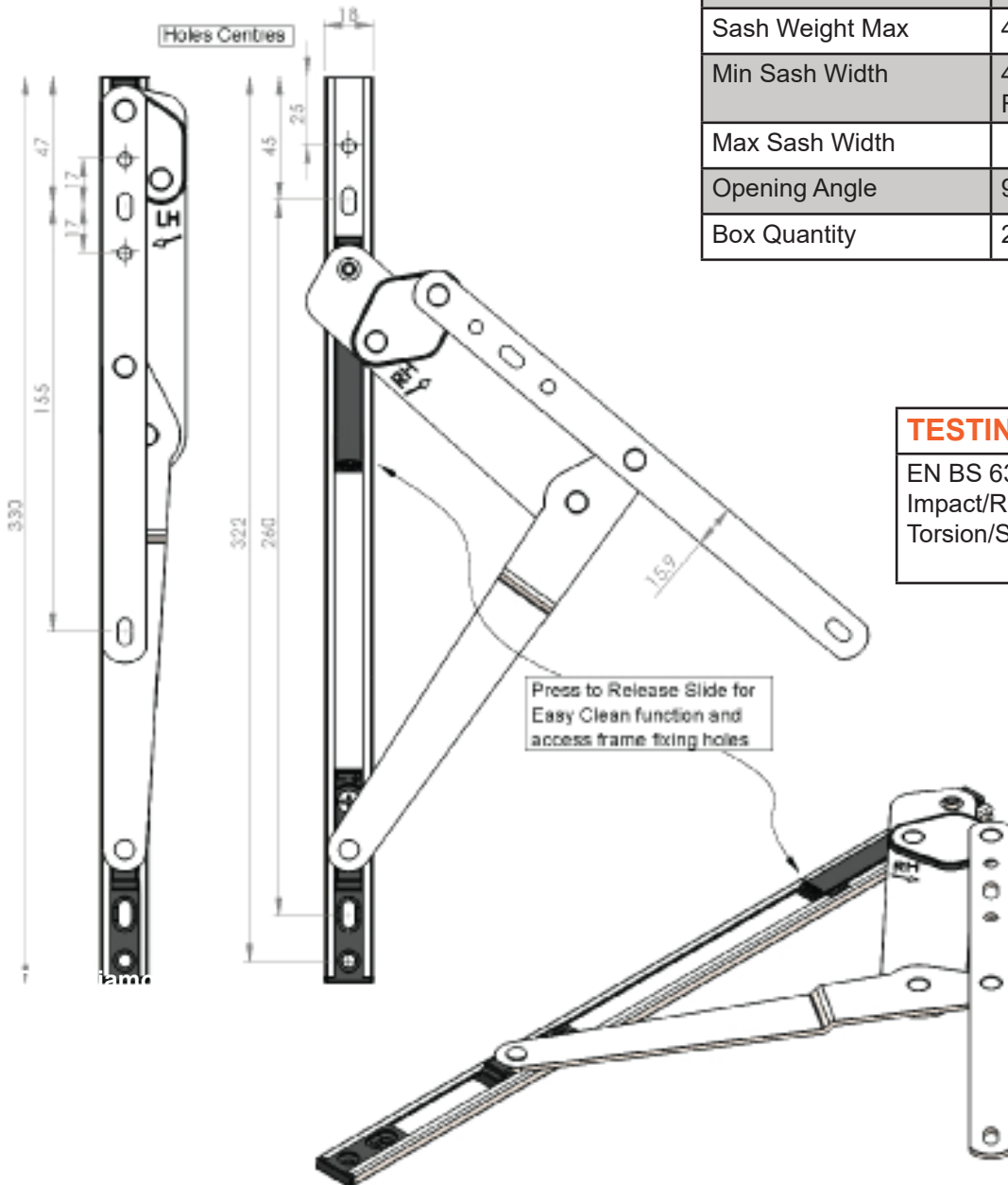


THE WINDOW HINGE THAT PERFORMS UNDER PRESSURE

DATA SHEET

Diamond Link 13" (330mm)
 Egress Easy Clean Hinge

13" (330mm) Line Drawing



13" (330mm) Egress Easy Clean Hinge	
Part No's	Description
01-1-13-13.5	13" Hinge 13.5mm Stack (Pair)
01-1-13-16.5	13" Hinge 16.5mm Stack (Pair)
Function	Side Hung Egress with Easy Clean
Sash Weight Max	40kg
Min Sash Width	490mm (Min rebate for Fire Escape)
Max Sash Width	700mm (Rebate)
Opening Angle	90°
Box Quantity	20 Pairs

TESTING
EN BS 6375-2 (Operating Forces/ Impact/Racking/Static Torsion/Safety Devices/Cyclic)