



# DIAMOND ND

## Link

For more information please email:  
[info@orbitdesign.co.uk](mailto:info@orbitdesign.co.uk)  
 Visit: [www.orbitdesign.co.uk](http://www.orbitdesign.co.uk)

Address:  
 The Walnuts, Ingleby Road,  
 Stanton by Bridge, Derbyshire,  
 DE73 7HU, GB

Alternatively, please contact your local sales representative.

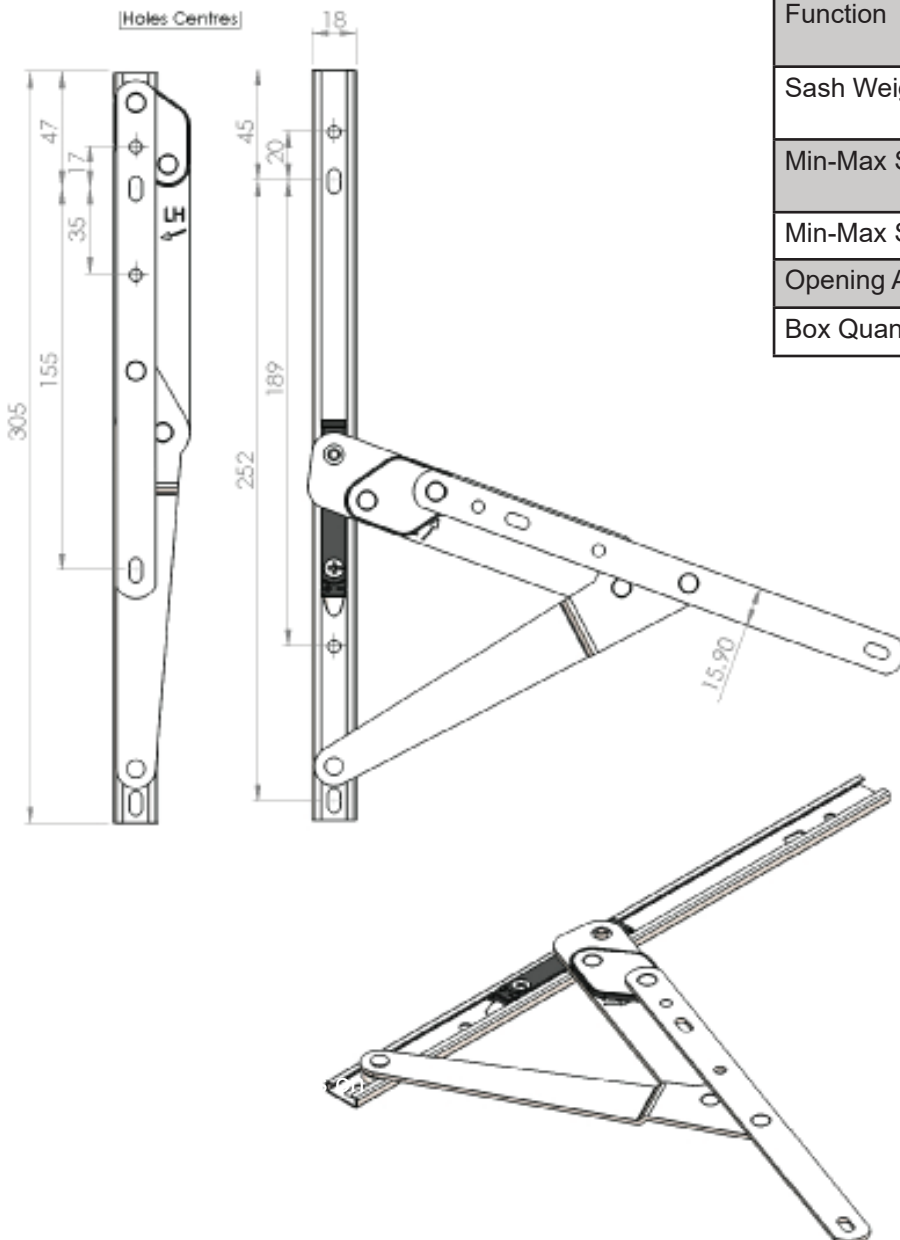


## THE WINDOW HINGE THAT PERFORMS UNDER PRESSURE

### DATA SHEET

#### Diamond Link 12" (307mm) Easy Clean Hinge

#### 12" (307mm) Line Drawing



DIAMOND LINK HINGE DATA SHEET	
12" (307 mm) Easy Clean Hinge	
Part No's	Description
01-1-12-13.5	12" Hinge 13.5mm Stack (Pair)
01-1-12-16.5	12" Hinge 16.5mm Stack (Pair)
Function	Side & Top Hung, Easy Clean
Sash Weight Maximum	40kg (Side Hung) 30kg (Top Hung)
Min-Max Sash Width	350mm-700mm (Side Hung)
Min-Max Sash Height	400mm-650mm (Top Hung)
Opening Angle	70°
Box Quantity	20 Pairs

TESTING
EN BS 6375-2 (Operating Forces/ Impact/Racking/Static Torsion/Safety Devices/Cyclic)